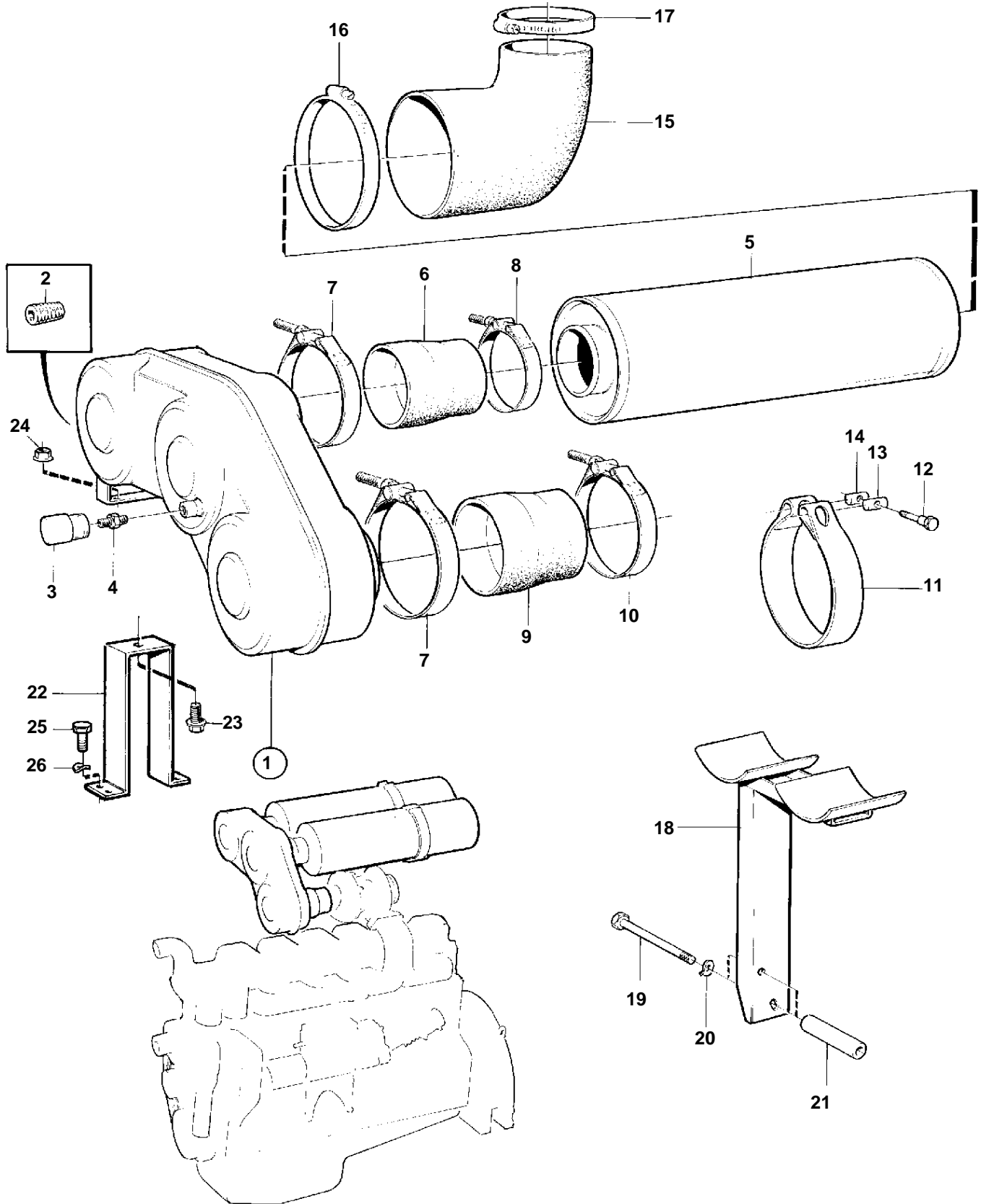


TD100G-87



16088

TD100G-87

REF	PART NO.	QTY	DESCRIPTION	SEE SEC.	NOTES
1	3825971	1	Connection pipe		
2	479977	1	· Plug		
3	3828765	1	Pressure drop indica		
4	191095	1	Nipple		
5	3825778	2	Air filter kit		
			· Bulletin 47-10	47-10-EN	New air filter for 16L Industrial engines
6	836334	2	Rubber cone		
7	1544734	3	Hose clamp		
8	1544733	2	Hose clamp		
9	847684	1	Fitting		
10	1660379	1	Hose clamp		
11	821028	2	Tensioning band		
12	31406	2	Screw		
13	31405	2	Pin		
14	31404	2	Pin		
15	864291	2	Hook		For air intake from outside the engine room.
16	944307	2	Hose clamp		
17	961678	2	Hose clamp		
18	848308	1	Bracket		
19	955529	2	Screw		
20	941907	2	Spring washer		
21	807425	2	Spacer sleeve		
22	848224	1	Bracket		
23	946173	1	Flange screw		
24	948645	1	Lock nut		
25	955523	2	Screw		
26	941907	2	Spring washer		